

Technical Data VACUDEST XS Clearcat

52,500 – 80,000 gal industrial wastewater per year

- VACUDEST Modular-System – Customized systems
- Energy efficient due to 95 % energy recycling
- Cost efficient due highest evaporation rates
- Comfortable Vacutouch control system including internet connection
- State of the art technology stands for highest distillate quality

VACUDEST XS

VACUDEST Modular-System – Features

- Clearcat condensation stage for complete removal of hydrocarbons
- Destcontrol to further improve distillate quality
- e-service, internet connection of Vacutouch control system
- Maintenance friendly design to optimize system availability

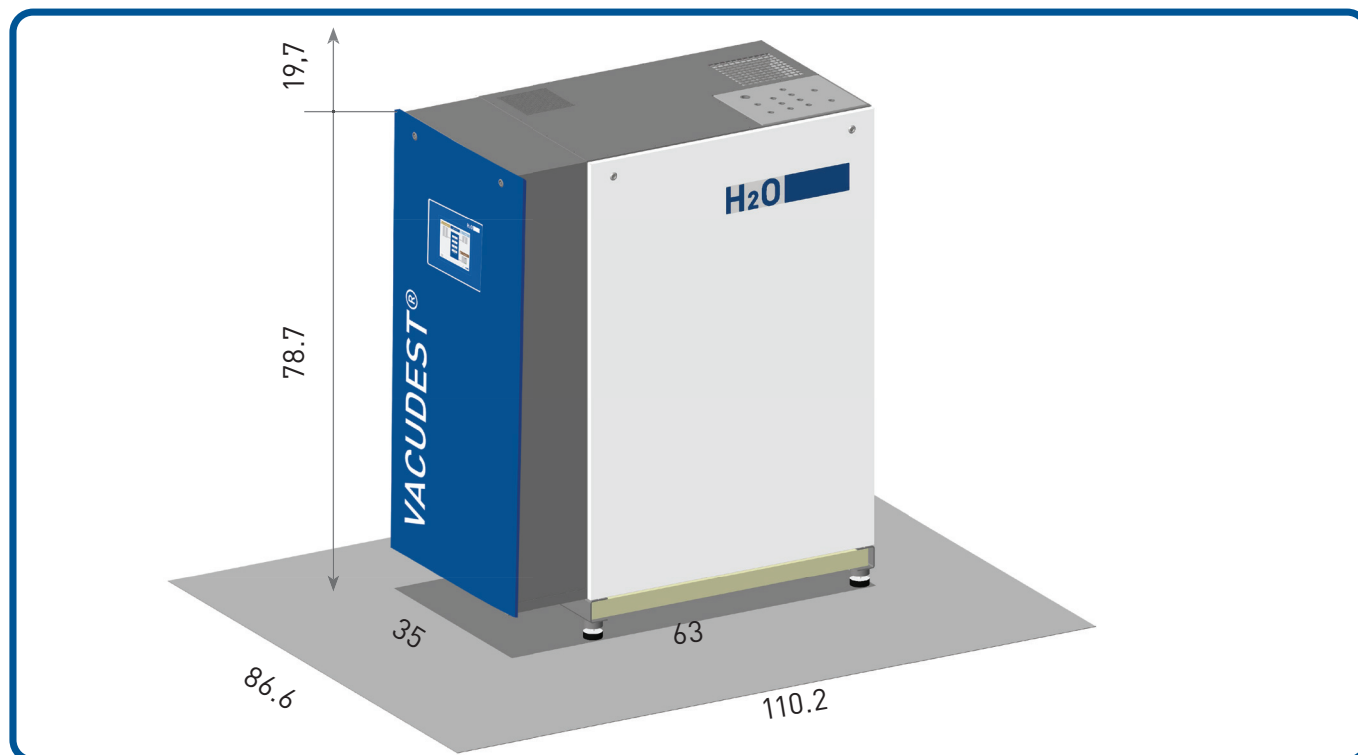


Technical Data

| VACUDEST | annual capacity* | Reference capacity with pure water | Average capacity with wastewater* | Electrical load | Weight (empty) | Energy consumption starting from |
|-----------|------------------|------------------------------------|-----------------------------------|-----------------|----------------|----------------------------------|
| XS 200 CC | 52,500 gal | 9 gal/h | 7 gal/h | 5,5 kW | 1,600 lb | 0.25 kWh/gal |
| XS 300 CC | 80,000 gal | 13 gal/h | 10 gal/h | 5,5 kW | 1,650 lb | 0.25 kWh/gal |

* 8,000 hours of operation, 5 % average evaporation residue of the wastewater

Dimensions (inch)



Dimensions of the VACUDEST vacuum distillation systems with optimal maintenance space

Copyright © H2O GmbH 2019 US-DB-11/2019