

Technical Data VACUDEST S

120,000 – 200,000 gal industrial wastewater per year

- VACUDEST Modular-System – Customized systems
- Energy efficient due to 95 % energy recycling
- Cost efficient due highest evaporation rates
- Maintenance friendly design to optimize system availability
- Comfortable Vacutouch control system including internet connection
- State of the art technology stands for highest distillate quality

VACUDEST S

VACUDEST Modular-System – Features

- Activepowerclean self-cleaning heat exchanger, to reduce operation cost
- Clearcat condensation stage for complete removal of hydrocarbons
- Destcontrol to further improve distillate quality
- e-service, internet connection of Vacutouch control system
- Premium exhaust air cooling, premium noise protection and much more

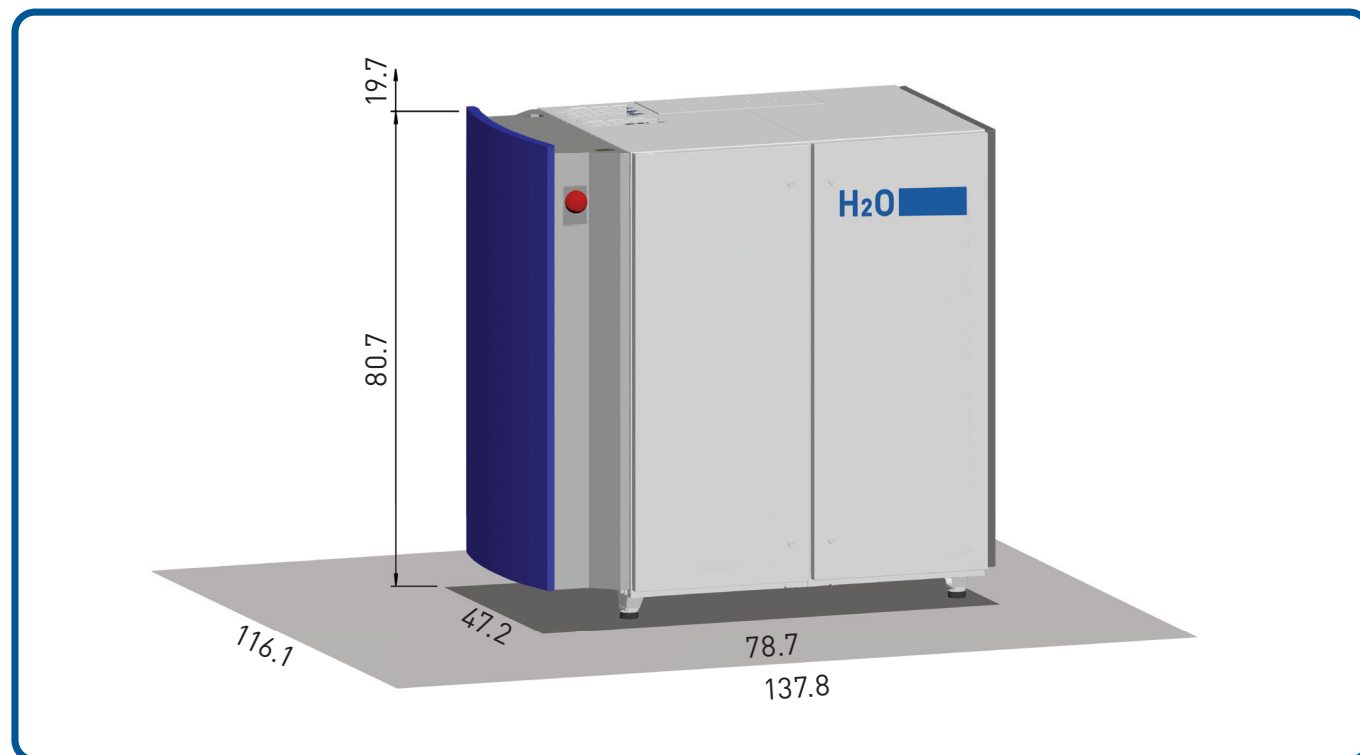


Technical Data

VACUDEST	annual capacity*	Reference capacity with pure water	Average capacity with wastewater*	Electrical load	Weight (empty)	Energy consumption starting from
S 450	120,000 gal	20 gal/h	15 gal/h	7.5 kW	2,600 lb	0.23 kWh/gal
S 600	160,000 gal	26 gal/h	21 gal/h	11 kW	2,700 lb	0.23 kWh/gal
S 750	200,000 gal	33 gal/h	25 gal/h	11 kW	2,800 lb	0.23 kWh/gal

* 8,000 hours of operation, 5 % average evaporation residue of the wastewater

Dimensions (inch)



Dimensions of the VACUDEST vacuum distillation systems with optimal maintenance space

Copyright © H2O GmbH 2019 US-DB-11/2019